

For reference only. See data sheet for the detailed specifications.

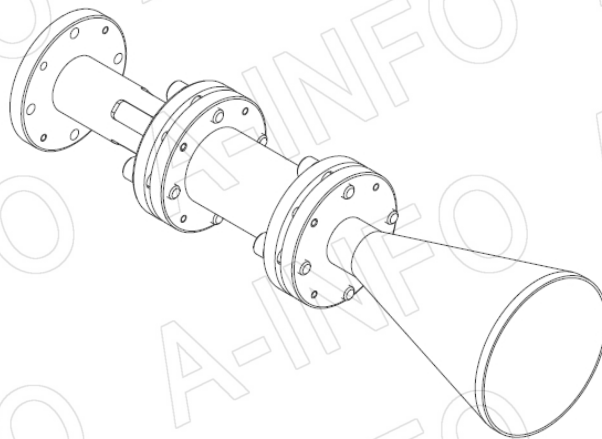
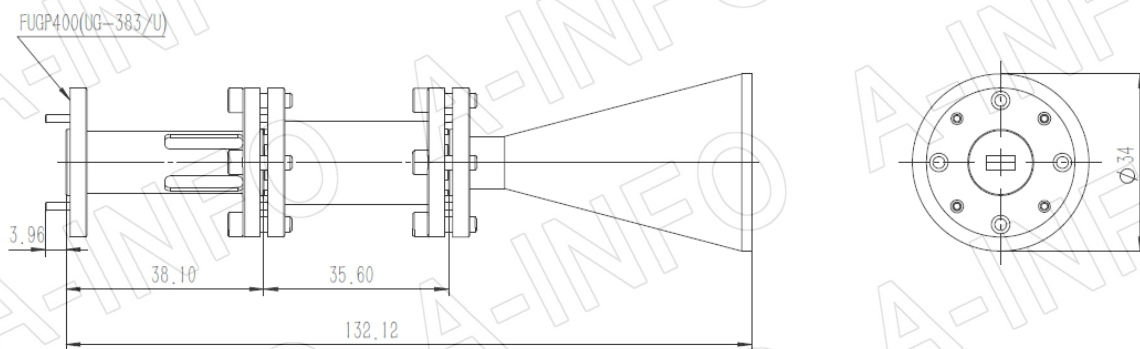
## Technical Specification



Frequency Range(GHz)	36.0 - 43.0	
Waveguide	WR22	
Gain(dBic)	20 Typ.	
Polarization	RHCP	
Axial Ratio(dB)	1.5 Typ.	
	3.5 Max.	
3dB Beamwidth(deg)	E Plane:	14 Typ.
	H Plane:	16 Typ.
VSWR	A Type:	1.10:1 Max.
	C Type:	1.50:1 Max.
Output	A Type:	FUGP400(UG-383/U)
	C Type:	2.4mm-Female
Material	Cu	
Finish	Gold Plated	
Size(mm)	A Type:	34 x 34 x 132.12
	C Type:	34 x 34.1 x 156.12
Net Weight(Kg)	A Type:	0.17 Around
	C Type:	0.22 Around

## Outline Drawing (Size: mm)

FUGP400 Output (P/N: LB-CN-22-20-R16a-A)



## AINFO Inc.

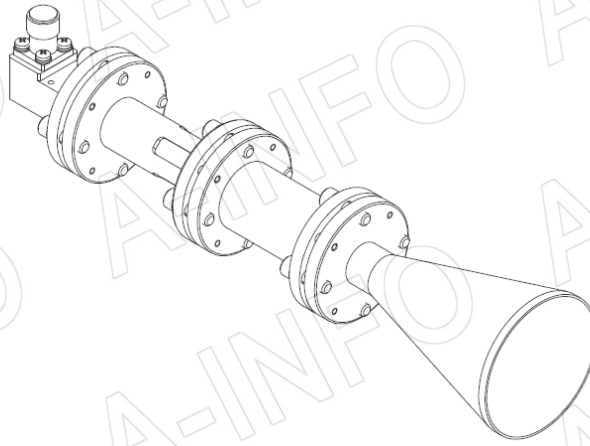
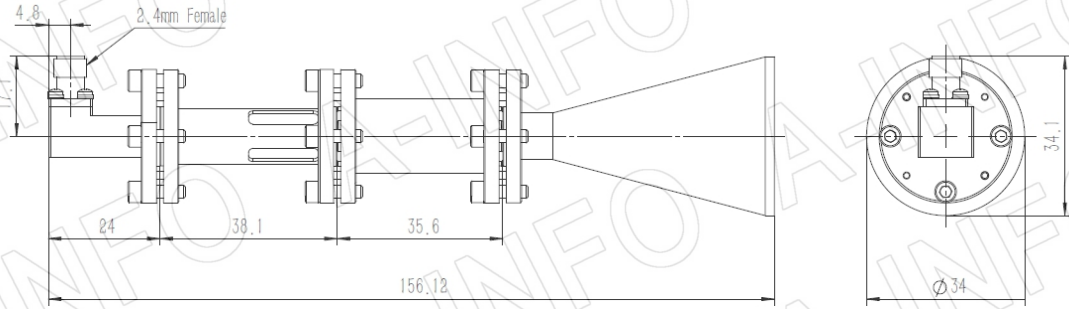
China(Beijing): Tel: (+86) 10-6266-7326,  
China(Chengdu): Tel: (+86) 28-8519-2786,  
USA: Tel: (+1) 949-639-9688,

Page 1 of 8

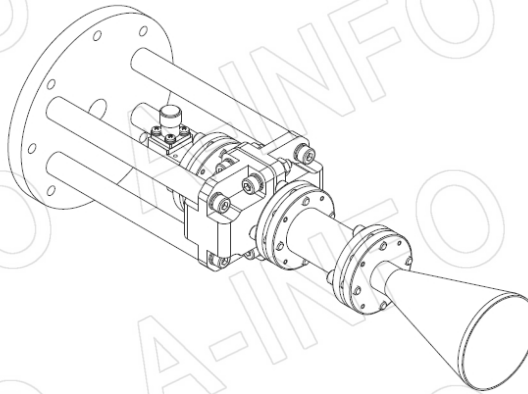
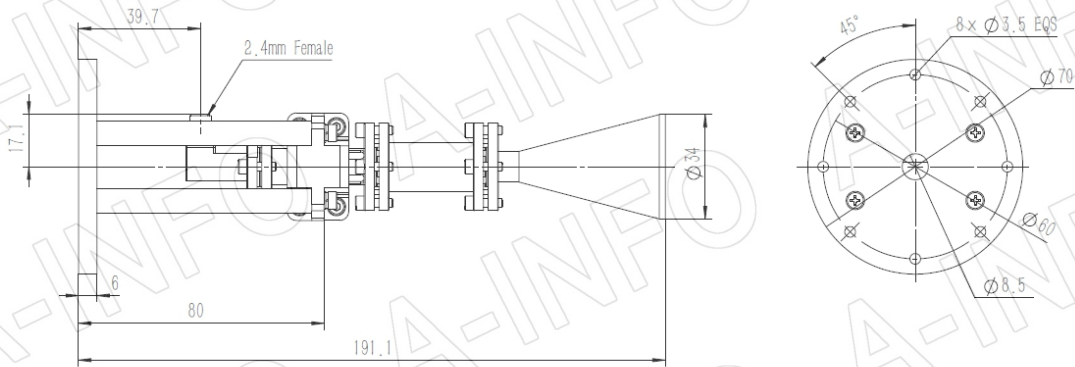
(+86) 10-6266-7327 Fax: (+86) 10-6266-7379  
(+86) 28-8519-3044 Fax: (+86) 28-8519-3068  
(+1) 949-639-9608 Fax: (+1) 949-639-9670

Website: [www.ainfoinc.com](http://www.ainfoinc.com)  
Email: [sales@ainfoinc.com](mailto:sales@ainfoinc.com)

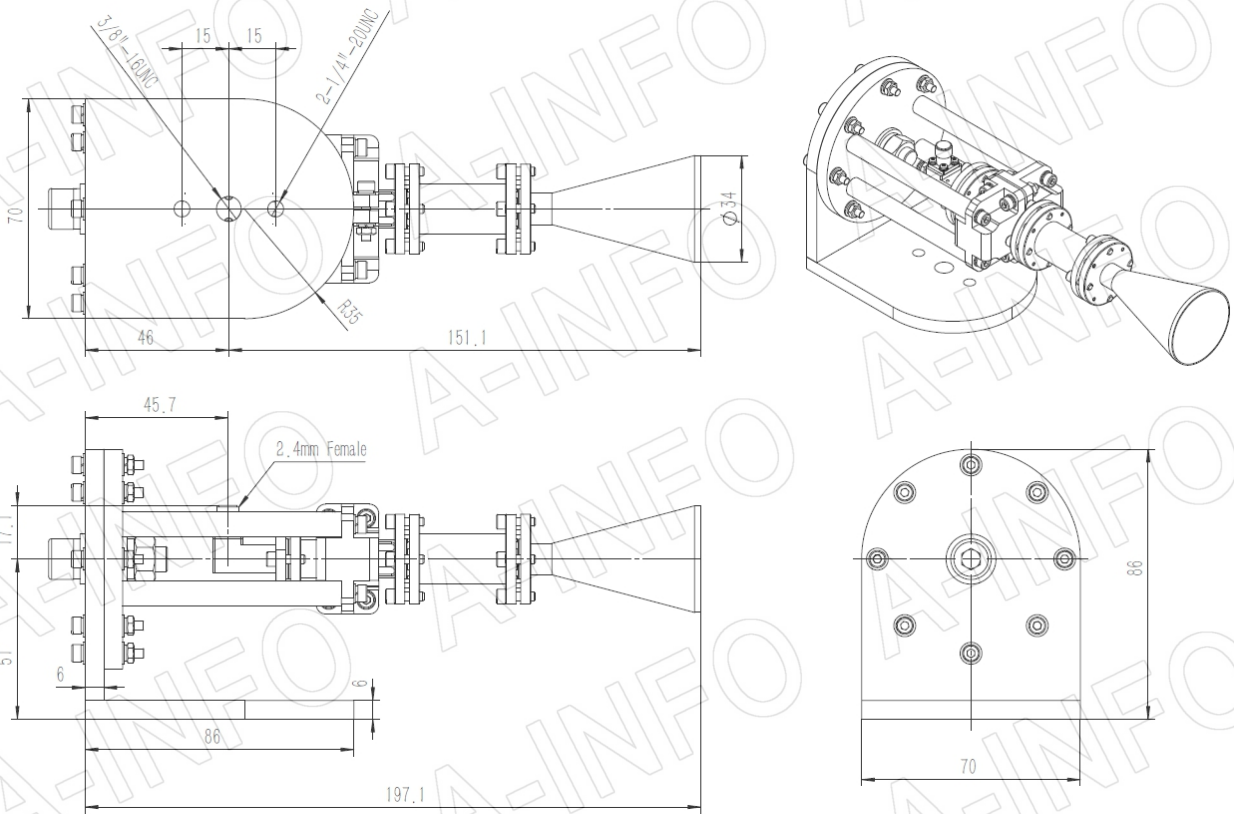
2.4mm-Female Output (P/N: LB-CNH-22-20-R16a-C-2.4F)



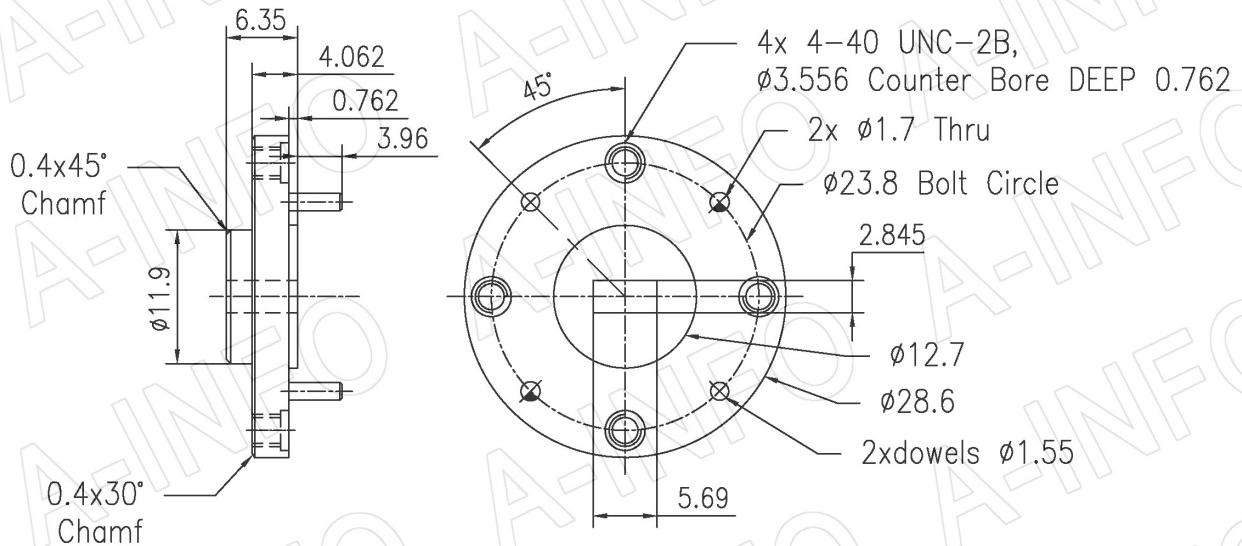
2.4mm-Female Output with Round Mounting Bracket (Option, P/N: LB-CNH-28-20-MB)



2.4mm-Female Output with L Type Mounting Bracket (Option, P/N: LB-CNH-28-20-MBL)



**Flange Drawing (Size: mm)**



FUGP400  
(equivalent to UG-383/U)

**AINFO Inc.**

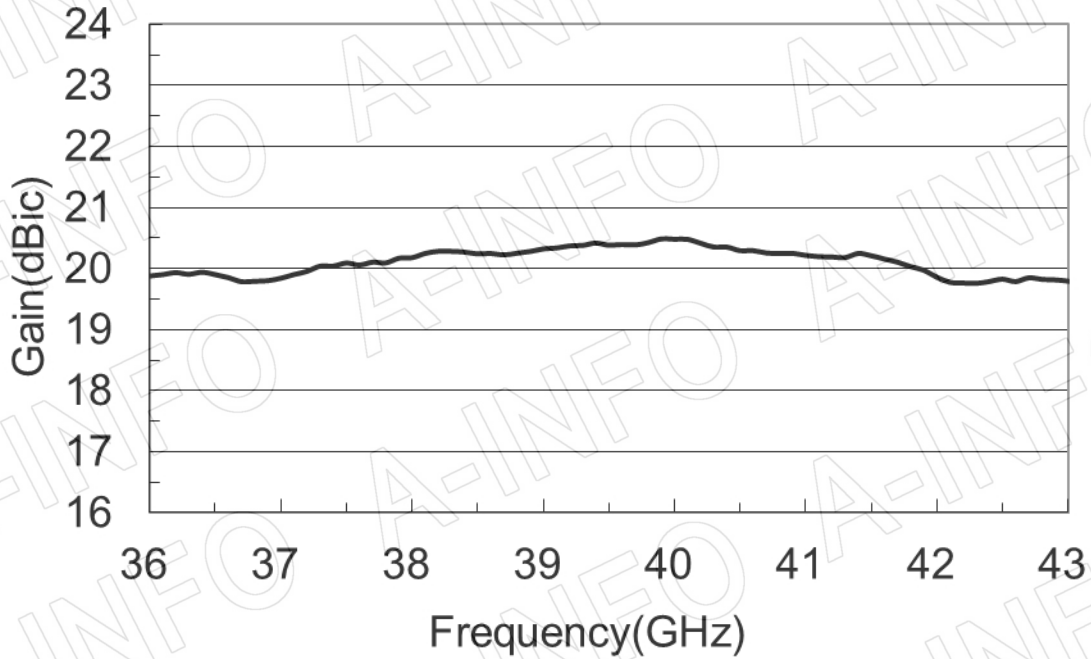
China(Beijing): Tel: (+86) 10-6266-7326,  
China(Chengdu): Tel: (+86) 28-8519-2786,  
USA: Tel: (+1) 949-639-9688,

Page 3 of 8  
(+86) 10-6266-7327 Fax: (+86) 10-6266-7379  
(+86) 28-8519-3044 Fax: (+86) 28-8519-3068  
(+1) 949-639-9608 Fax: (+1) 949-639-9670

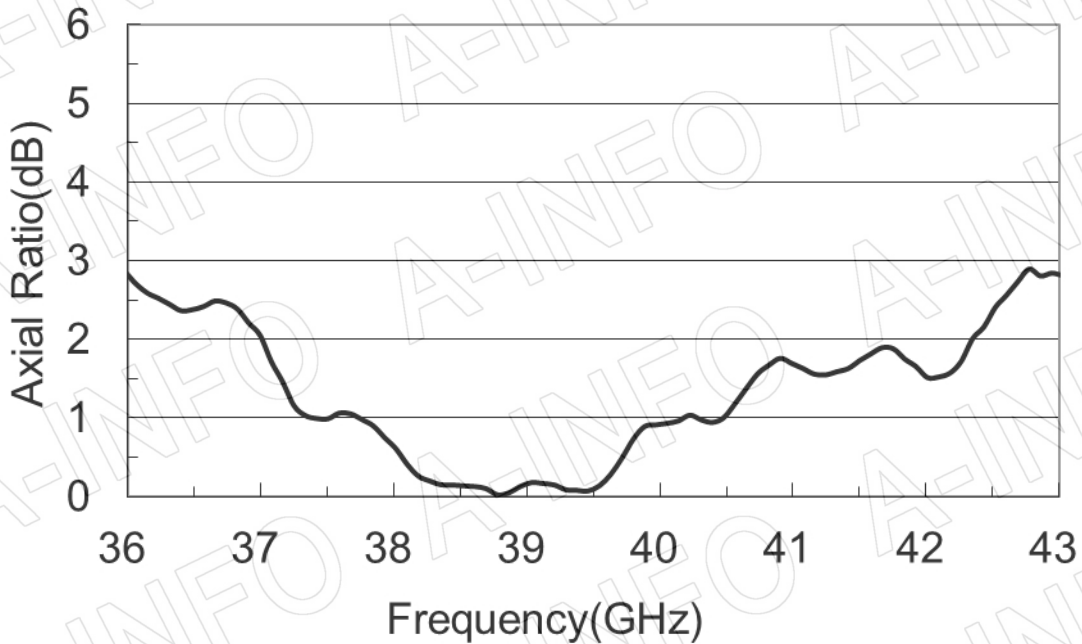
Website: [www.ainfoinc.com](http://www.ainfoinc.com)  
Email: [sales@ainfoinc.com](mailto:sales@ainfoinc.com)

## Test Results

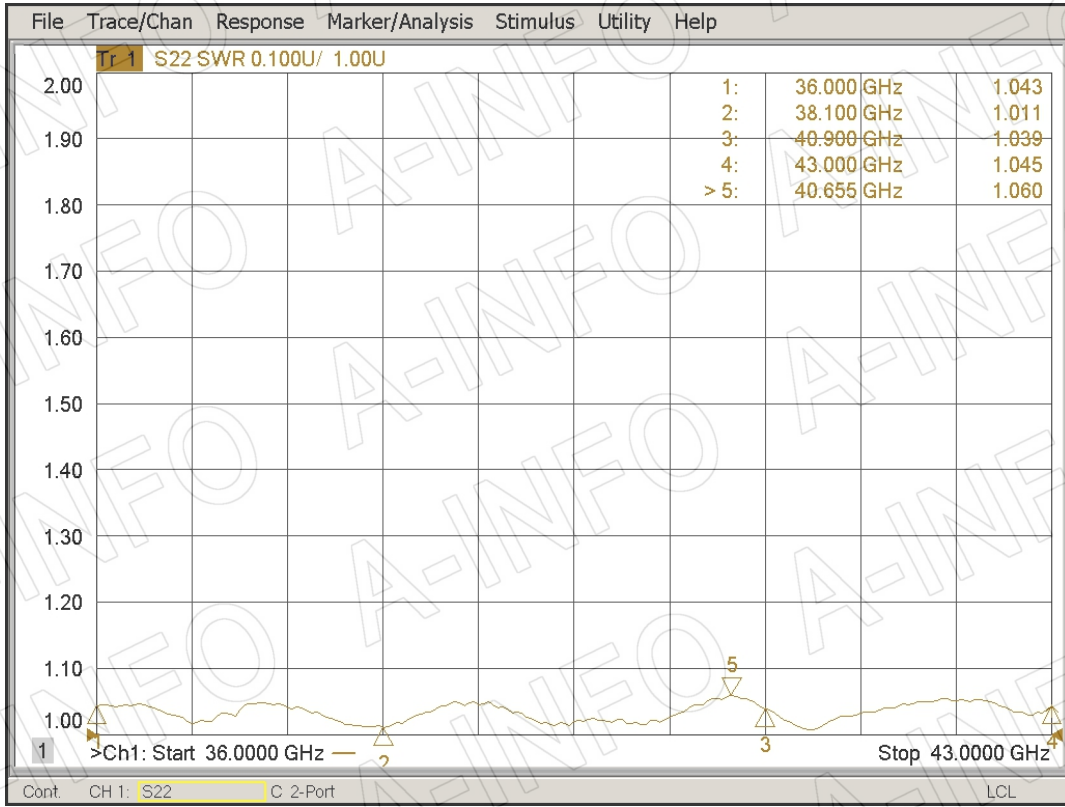
### 1. Gain



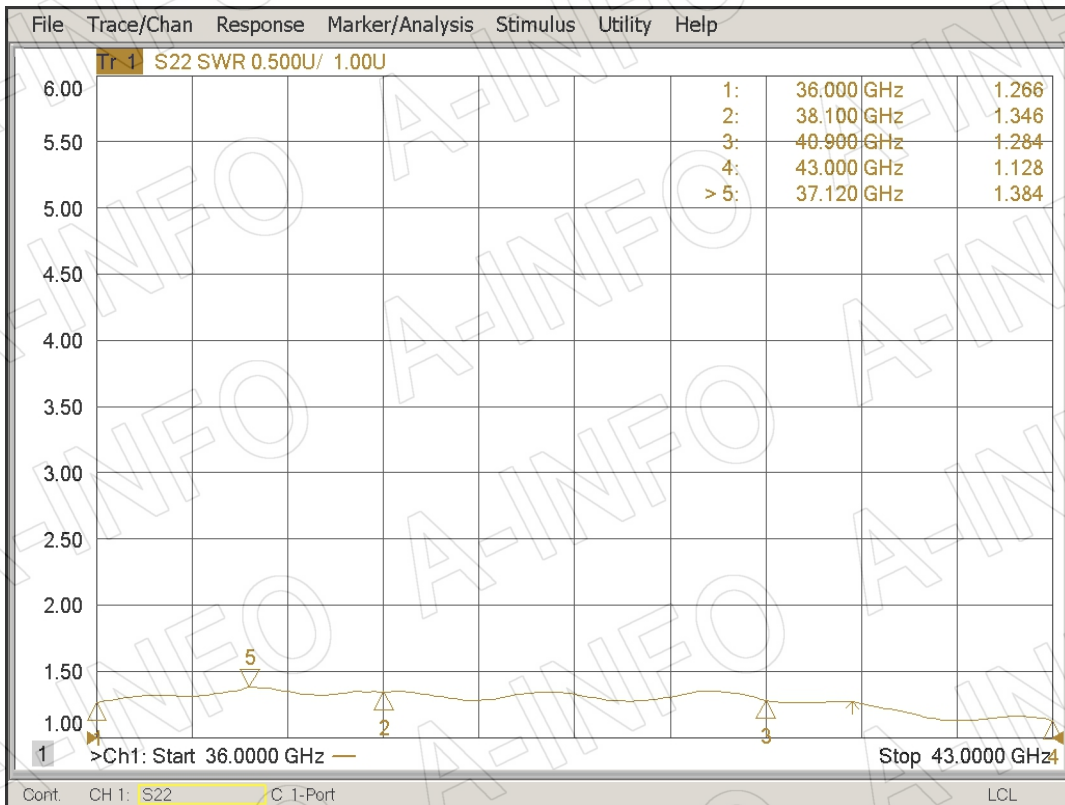
### 2. Axial Ratio



### 3. VSWR\_A Type



### VSWR\_C Type



## 4. Pattern

